



Trim Voltage



10 Stops Adjustable Frequency(250-20000Hz)

HZA-J Series

HZA-H-J Series (Class 2)

5 in 1 (Triac, 0-10V, 1-10V, 10V PWM, Potentiometer) Dim. C.V. J-Box LED Driver

(Output Voltage Fine Tune Available / PWM Output / Frequency 250~20000Hz Optional)

5合1调光恒压壳机一体电源【HZA-J·HZA-H-J系列】【输出电压可微调/PWM输出/250~20000Hz可选】

Features 特性

- ★ **Dim-all:** Triac/0-10V/1-10V/10VPWM/Potentiometer
- **Universal input:** 110-277Vac
- **Output type:** PWM output
- **Triac dim mode:** Forward phase & reverse phase, MLV, ELV dim
- ★ **10 stops Frequency adjustable (250-20000Hz)**
- With unique knob trim voltage function
- Wet, damp, and dry location,
- Title 24 JA8 compliant
- Build in active PFC, typical power factor>0.95, THD<10%@120V Max. load.
- Super low loading request, works perfect at 10-100% load.
- Short-circuit, over-temperature, over-load protection.
- UL cUL listed, Class 2, Class P, FCC, NEMA 4X, RoHs

- ★ **调光方式:** 可控硅/0-10V/1-10V/10V PWM/电阻调光
- 通用输入:** 110-277Vac
- 输出类型:** PWM输出
- 可控硅调光模式:** 正相和反相、MLV、ELV 调光
- ★ **10档频率可选(250-20000Hz)**
- 具有独特的旋钮微调电压功能
- 适用于潮湿和干燥的位置
- 兼容Title 24, JA8标准
- 内置有源PFC, 典型功率因数>0.95, THD<10% @120V Max. load
- 超低负载要求, 在 10-100% 负载下完美运行
- 短路、过温、过载保护
- 认证:** UL/cUL, Class 2, Class P, FCC, NEMA 4X, ROHS

Selling Points 卖点

- 1) **PWM Output:** Optional output frequency 250-20000Hz
- 2) **Dimming range:** 100%-0.1% Ultra Deep Amplitude
- 3) Works with single channel LED strip/tape and dim-to-warm LED strip/tape (2 wires)
- 4) Exclusive patent design of "Clamshell" junction box (Fixed without screws)

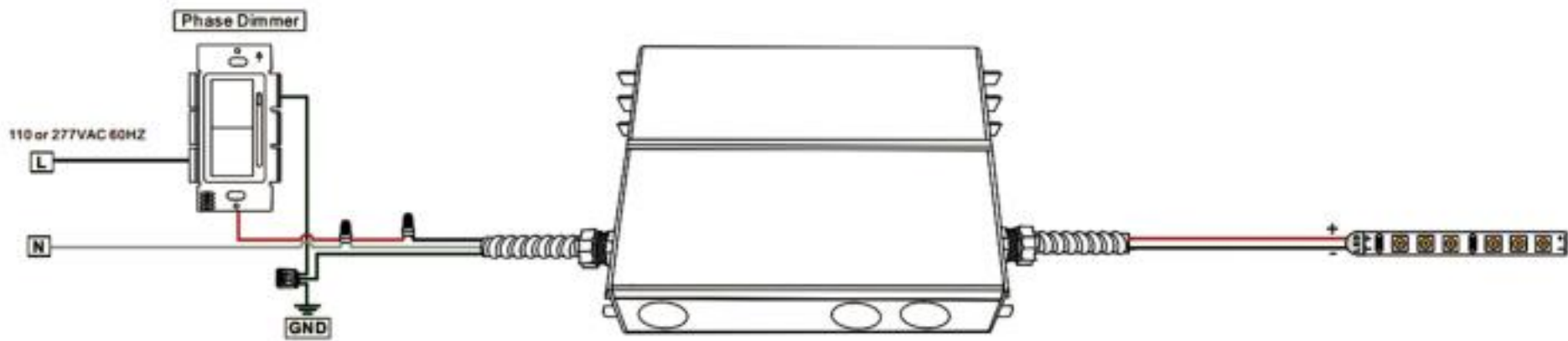
- 1) **PWM输出:** 可选输出频率250-20000Hz
- 2) **调光范围:** 100%-0.1%超深幅度
- 3) 适用于单通道 LED 灯条/带和调暗至暖色 LED 灯带/2线芯LED灯带
- 4) 独家 "Clamshell" 接线盒专利设计 (无需螺丝固定)

Model 型号	Cover Material 外壳材质	Output Voltage 输出电压 (Vdc)	Output Current 输出电流 (Amp)	Output power 输出功率 (Watt)	Product Size 尺寸 (mm)	N/W 净重 (g)
HZA-12030J	Metal Housing (NEMA 4X)	12V(9-13Vadjustable)	2.5A	30W	158*120.5*42	750
HZA-24030J		24V(17-25Vadjustable)	1.25A			
HZA-48030J		48V(36-49Vadjustable)	0.63A			
HZA-12060J		12V(9-13Vadjustable)	5A	60W	158*120.5*42	750
HZA-24060J		24V(17-25Vadjustable)	2.5A			
HZA-48060J		48V(36-49Vadjustable)	1.25A			
HZA-12080J		12V(9-13Vadjustable)	6.6A	80W	188*120.5*42	1100
HZA-24080J		24V(17-25Vadjustable)	3.3A			
HZA-48080J		48V(36-49Vadjustable)	1.66A			
HZA-24096J		24V(17-25Vadjustable)	4A	96W	188*120.5*42	1100
HZA-48096J		48V(36-49Vadjustable)	2A			
HZA-12100J		12V(9-13Vadjustable)	8.33A	100W	188*120.5*42	1100
HZA-24100J		24V(17-25Vadjustable)	4.17A			
HZA-48100J		48V(36-49Vadjustable)	2.08A			
HZA-12120J		12V(9-13Vadjustable)	10A	120W	218*120.5*42	1100
HZA-24120J		24V(17-25Vadjustable)	5A			
HZA-48120J		48V(36-49Vadjustable)	2.5A			
HZA-12150J		12V(9-13Vadjustable)	12.5A	150W	218*120.5*42	1500
HZA-24150J		24V(17-25Vadjustable)	6.25A			
HZA-48150J		48V(36-49Vadjustable)	3.125A			
HZA-12200J		12V(9-13Vadjustable)	16.67A	200W	218*120.5*42	1500
HZA-24200J		24V(17-25Vadjustable)	8.33A			
HZA-48200J		48V(36-49Vadjustable)	4.17A			
HZA-12300J		12V(9-13Vadjustable)	25A	300W	258*120.5*42	1500
HZA-24300J	24V(17-25Vadjustable)	12.5A				
HZA-48300J	48V(36-49Vadjustable)	6.25A				
High Power Class 2			120W-384W			
HZA-H12120J	Metal Housing (NEMA 4X)	12V(9-13Vadjustable)	2CH*5A	2CH*60W	218*120.5*42	1100
HZA-H24120J		24V(17-25Vadjustable)	2CH*2.5A	2CH*60W	218*120.5*42	1100
HZA-H12180J		12V(9-13Vadjustable)	3CH*5A	3CH*60W	218*120.5*42	1100
HZA-H24192J		24V(17-25Vadjustable)	2CH*4A	2CH*96W	218*120.5*42	1100
HZA-H48192J		48V(36-49Vadjustable)	2CH*2A	2CH*96W	218*120.5*42	1100
HZA-H24288J		24V(17-25Vadjustable)	3CH*4A	3CH*96W	258x120.5x42	1500
HZA-H48288J		48V(36-49Vadjustable)	3CH*2A	3CH*96W	258x120.5x42	1500
HZA-H12300J		12V(9-13Vadjustable)	5CH*5A	5CH*60W	258x120.5x42	1500
HZA-H24384J		24V(17-25Vadjustable)	4CH*4A	4CH*96W	258x120.5x42	1500
HZA-H48384J		48V(36-49Vadjustable)	4CH*2A	4CH*96W	258x120.5x42	1500

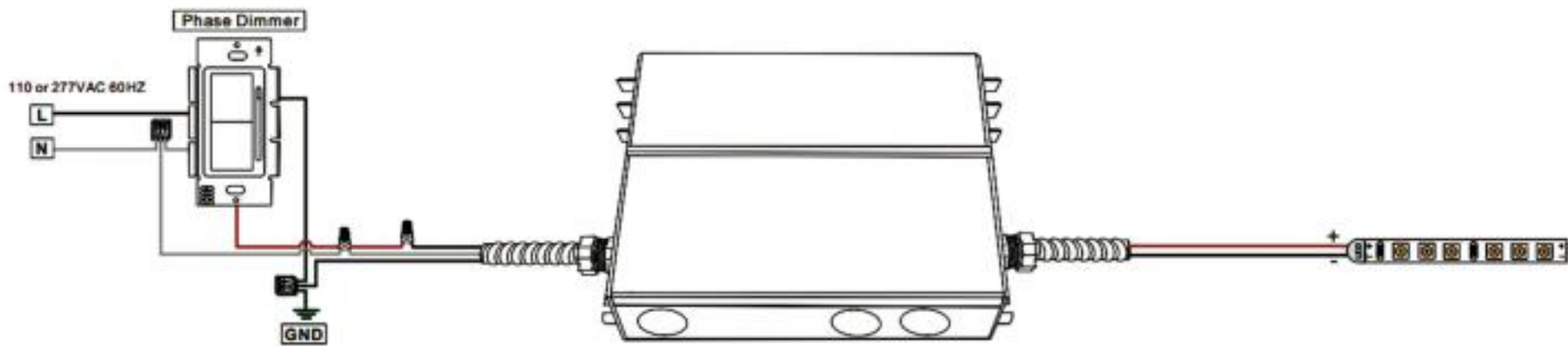
Wiring Diagram (Works with single channel Linear LED strip/tape (2 wires))

接线图 (与单通道线性 LED 灯条/2线芯LED 灯带 配合使用)

1) Using Triac / MLV wiring diagram 使用 Triac/MLV 接线图

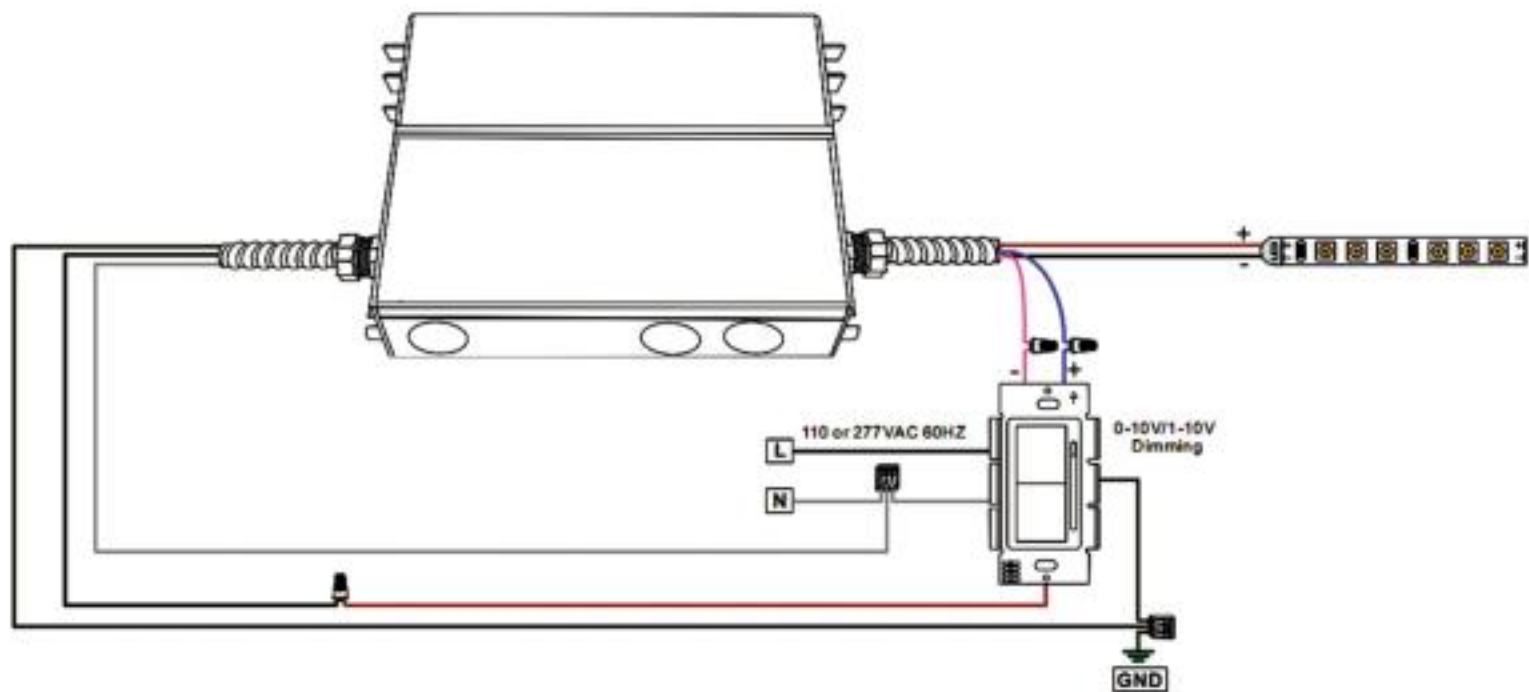


2) Using Triac / ELV wiring diagram 使用 Triac/ELV 接线图



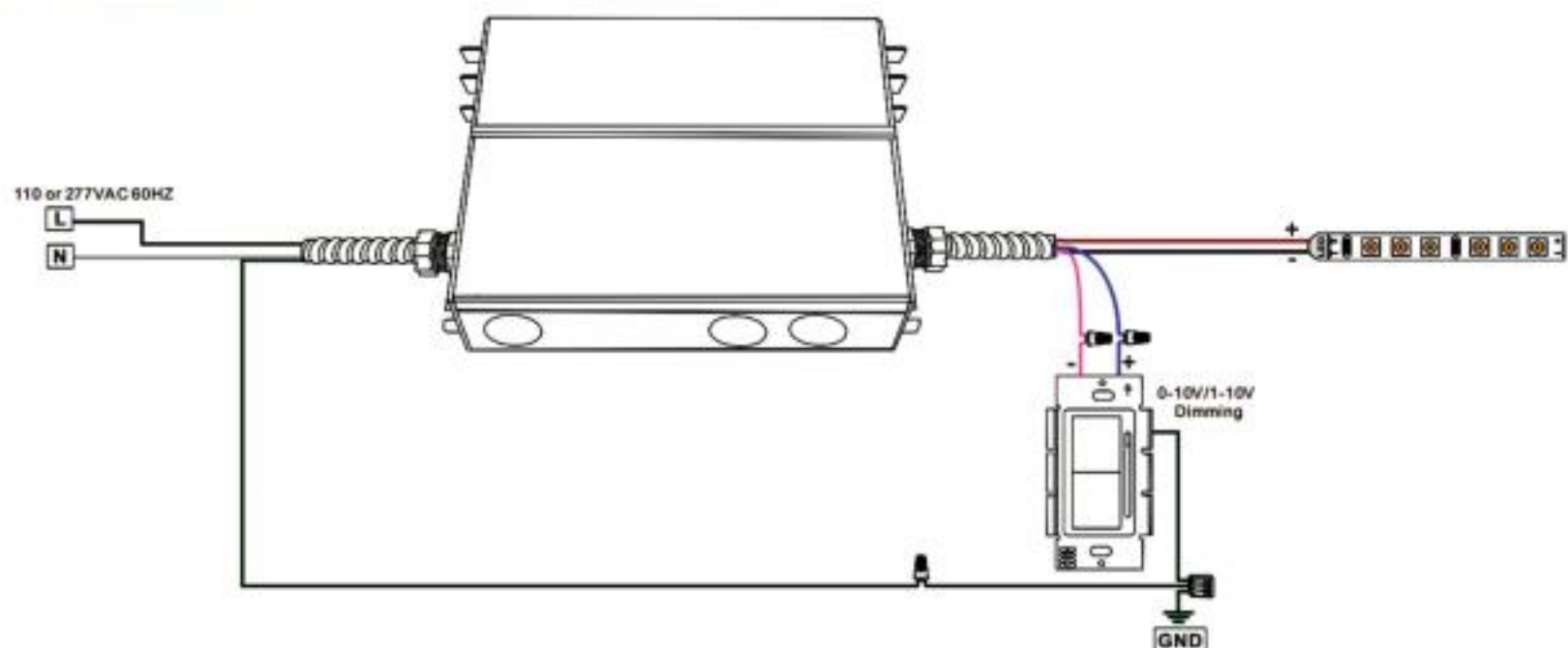
3) Using 0-10V/1-10V Dimming(The driver input is connected to the dimmer)

使用0-10V/1-10V调光 (驱动输入连接调光器)



4) Using 0-10V/1-10V Dimming(The driver is independently connected to the input)

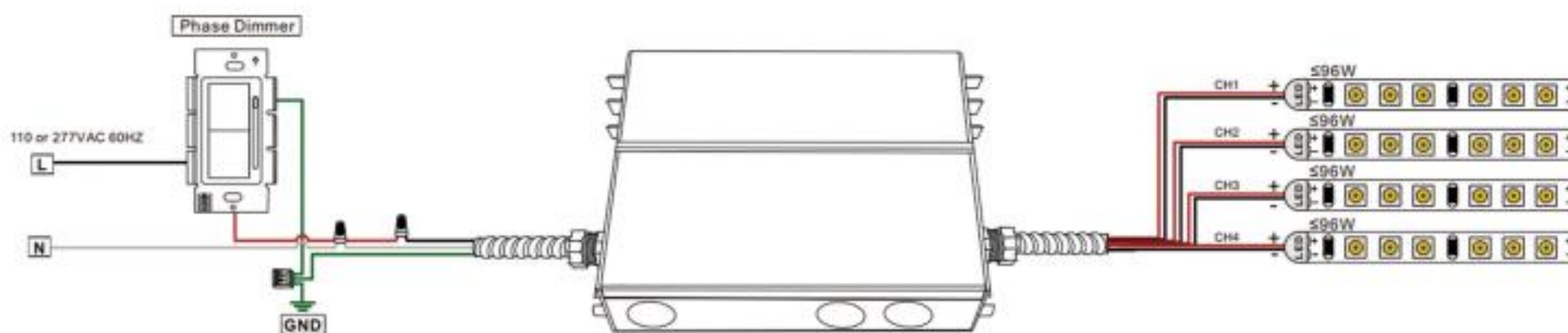
使用0-10V/1-10V调光 (驱动器独立连接输入)



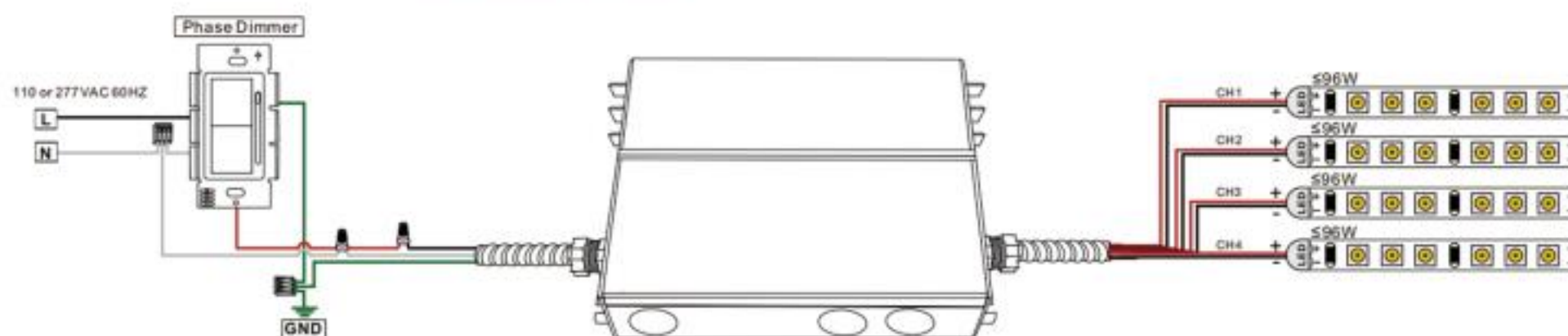
Wiring Diagram (e.g.: Following is the wiring diagram of high power class 2 LED Driver 384W)

接线图 (例如：以下是大功率 Class 2 LED驱动器384W接线图)

1) Using Triac / MLV wiring diagram 使用 Triac/MLV 接线图

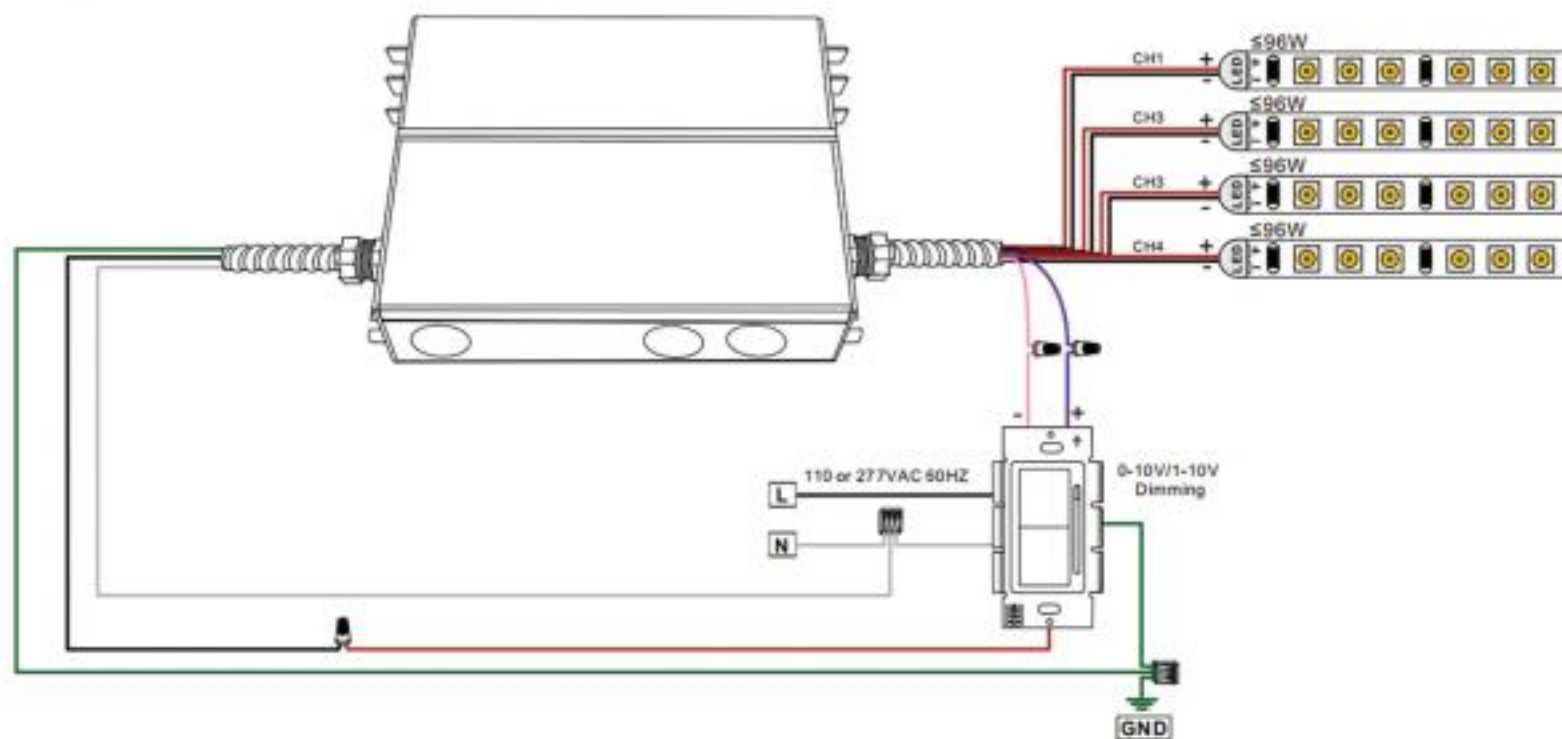


2) Using Triac / ELV wiring diagram 使用 Triac/ELV 接线图



3) Using 0-10V/1-10V Dimming(The drive input is connected to the dimmer)

使用0-10V/1-10V调光 (驱动输入连接调光器)



4) Using 0-10V/1-10V Dimming(The drive is independently connected to the input)

使用0-10V/1-10V调光 (驱动器独立连接输入)

